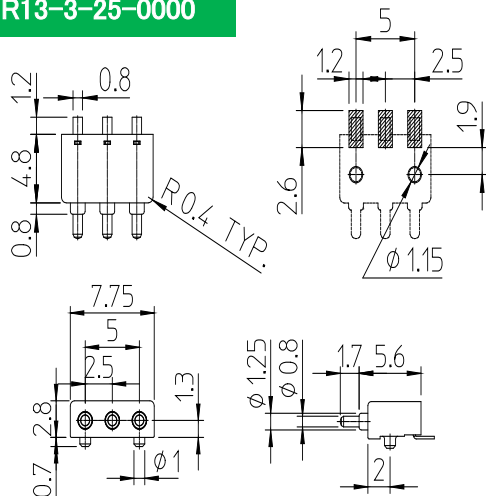


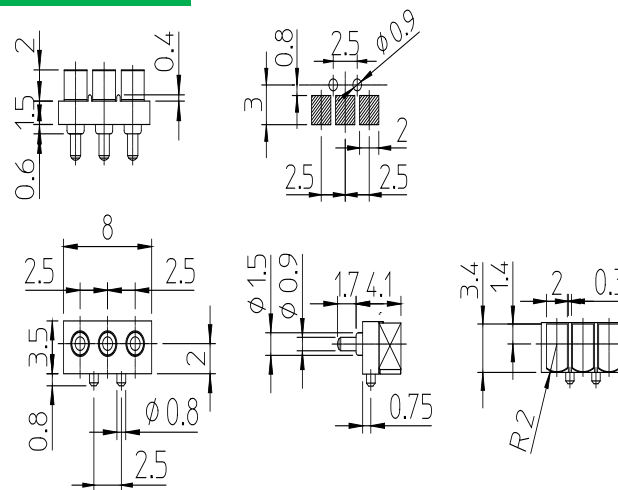
[S-series] Semi Catalog, Right Angle Type (2/4)

S-J-5617R13-3-25-0000



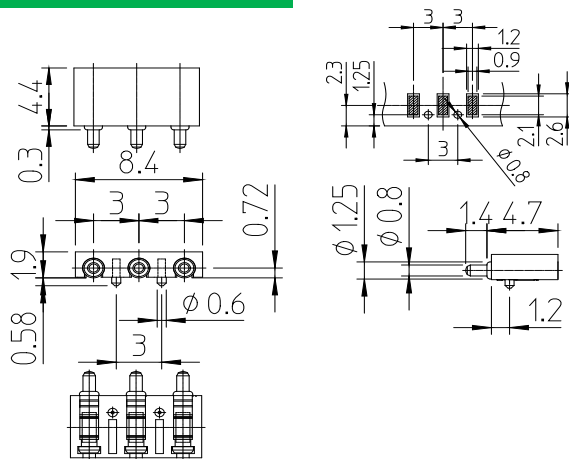
1.0mm: $0.5N \pm 0.15N$ Full St: 1.7mm

S-J-4117R20-3-25-0000



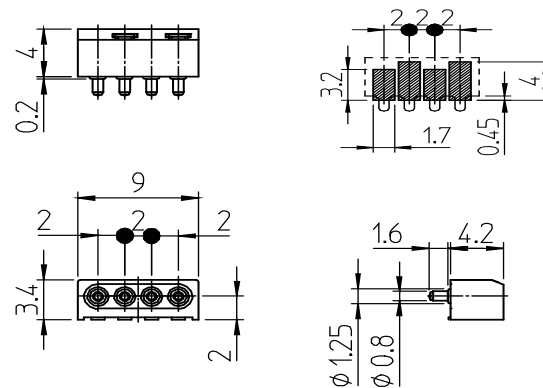
1.2mm: $1.08N \pm 0.25N$ Full St: 1.7mm

S-J-4414R07-3-30-0000



1.0mm: $1.08N \pm 0.25N$ Full St: 1.4mm

S-J-4214R20-4-20-0000



1.0mm: $1.08N \pm 0.25N$ Full St: 1.7mm