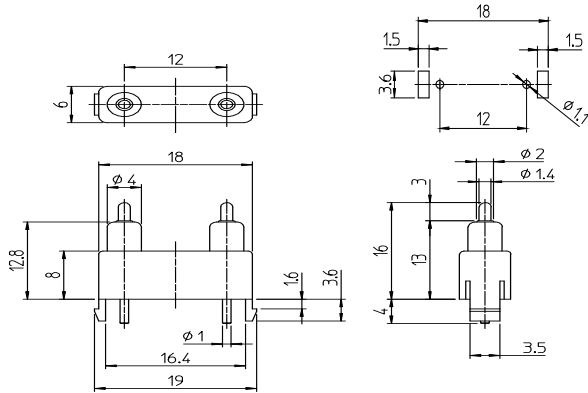


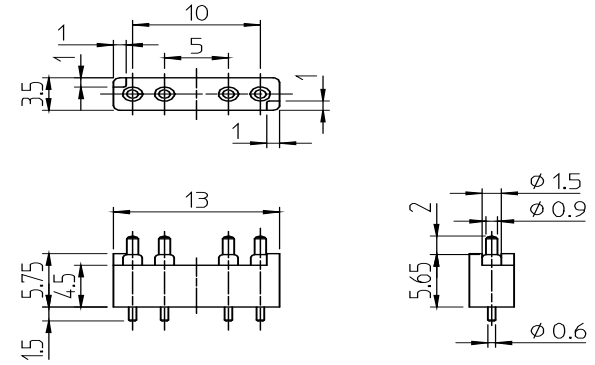
[S-series] Semi Catalog, Through Hole Type

S-J-10030T-2-120-0000



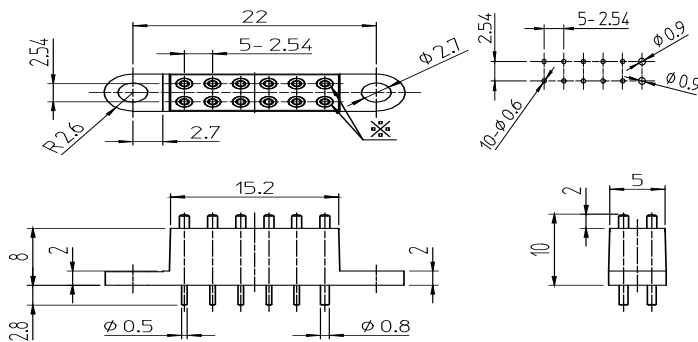
2.5mm: 1.08N \pm 0.30N Full St: 3.0mm

S-J-5020T-4-50-0000



1.0mm: 0.588N \pm 0.147N Full St: 2.0mm

S-J-7320T-12-254-0000



※MARK 1.3mm: 1.00N \pm 0.20N Full St: 2.0mm

1.3mm: 0.50N \pm 0.10N Full St: 2.0mm