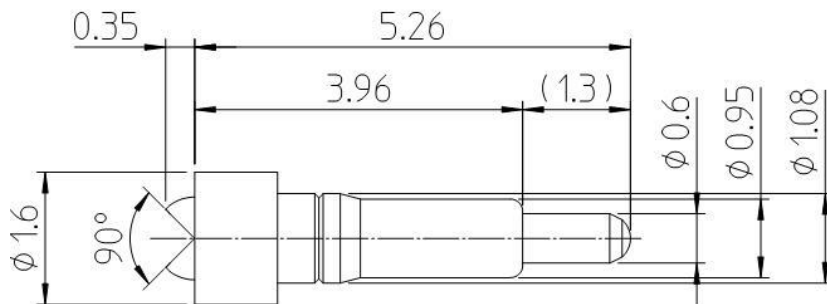


Floating Connector 1pin Crown Cut Type



Basic Specifications

- Rated Current : 1A
- Rated Voltage : AC/DC12V
- Contact Resistance: 100mΩmax
- Operation Temp. : -40°C~+85°C
- Cycle Durability: 10,000 times



- Part Number: S-J-4013FCW-1-00-0000
- Sprig Force: 0.5N ± 0.15N (at 0.8mm stroke)
- Recommend Compressed Height: 0.5-1.1mm stroke
- ※This products is no soldering.

Electrical Characteristic

- Rated Current : AC/DC 12V 1A
- Contact Resistance : 100mΩ

Mechanical Characteristics

- Pin Force: 0.5N ± 0.15N (at 0.8mm stroke)
- Pin Strength : 9.8N force on pin from any direction for 1min.

Other Characteristic

- Operational Durability : 10,000 cycles
- Low Temp. Durability : Store in temp. -40°C ± 3°C for 96 hours then ,leaves in ambient temp. for 1 hour
- High Temp. Durability: Store in temp. +85°C ± 2°C for 96 hours then ,leaves in ambient temp. for 1 hour
- Humidity Durability : Store in temp. +60°C ± 2°C with humidity of 90~95% for 96 hours

Other Characteristic

Temp. Cyclic Test : Cycle 5 times (Table 1. shows test condition for 1 cycle)
Leave in ambient temp. for 1 hour.

Temp. And Humidity Cyclic Test: 10 times of a cycle test based on JIS C60068-2-38

Anti-corrosion (Salt Water Spray) : The electrical performance shall measured after continuous spray of salt water with $5 \pm 1\%$ density and $35 \pm 2^\circ\text{C}$ temp. for 48 hours, cleaning with lukewarm water and dry, and leaving in ambient temperature for 1 hours

Vibration Test : Connect each connector pin in series, conducting current of 0.1A. After that the vibration described below is added.
 * Amplitude 1.5mm
 * Sweeping cycle 10~55~10Hz/minute,
 * Duration of test: 2hours for each of X,Y,Z axis

Shock Test : Connect each connector pin in series, conducting current of 0.1A. After that , the shock described below is added.
 * Accelerating rate: 490m/s^2
 * Operating time of the test: 11ms
 * The number of operating times: *3shocks at C,Y,Z axis both.
 *In negative and positive direction.

- The specifications shown in this catalogue are subject to change without notice.
- Storage conditions: 35days max in room temperature

Fig 1. Temp. and Humidity Cycle

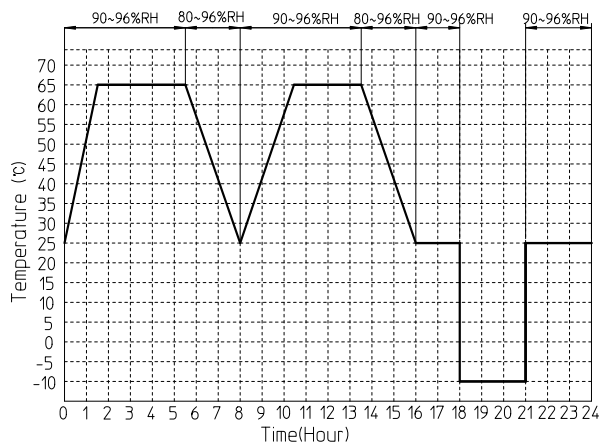


Table 1. Temperature Cycle

Step	Temperature(°C)	Time(minites)
1	-40 ± 3	30 - 35
2	5 - 35	5 - 15
3	85 ± 2	30 - 35
4	5 - 35	5 - 15