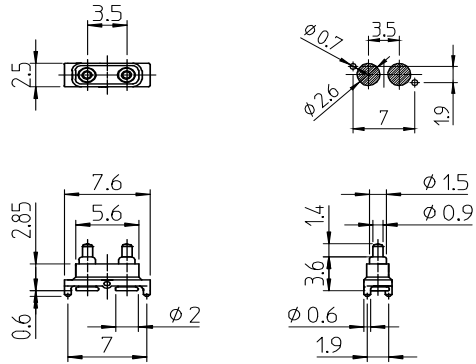


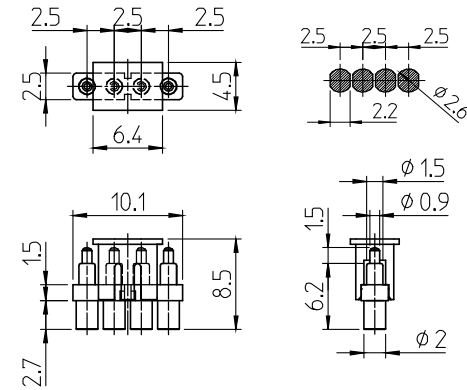
# [S-series] Semi Catalog, Other Type (3/4)

S-J-3614B-2-35-0000



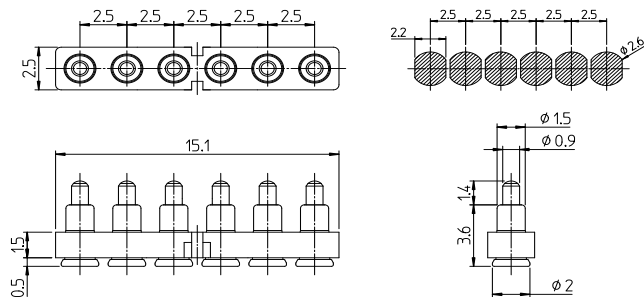
1.0mm : 1.08N  $\pm$  0.22N  
Full St : 1.4mm

S-J-6215H-4-25-0000



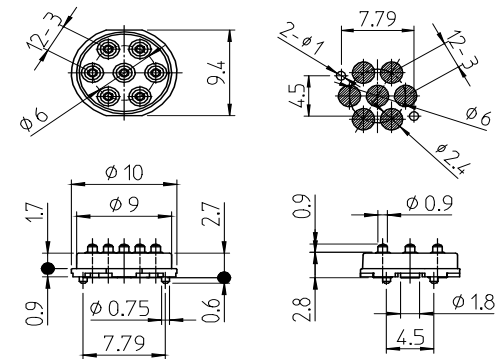
1.0mm : 1.08N  $\pm$  0.22N  
Full St : 1.5mm

S-J-3614H-6-25-0000



1.0mm : 1.08N  $\pm$  0.25N  
Full St : 1.4mm

S-J-2809H-7-30-0000



0.6mm : 1.05N  $\pm$  0.25N  
Full St : 0.9mm