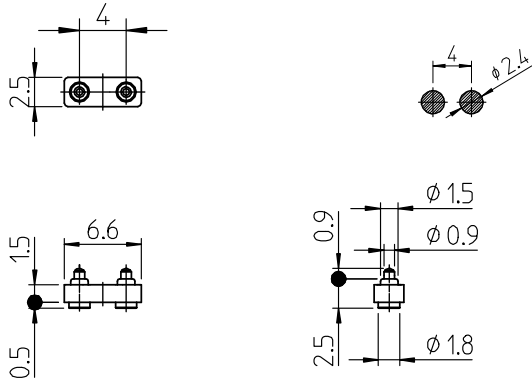


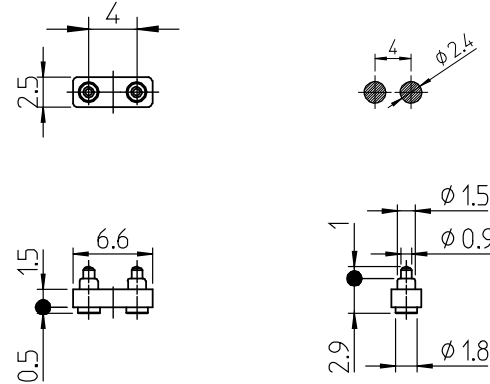
[S-series] Semi Catalog, Other Type (1/4)

S-J-2509H-2-40-0000



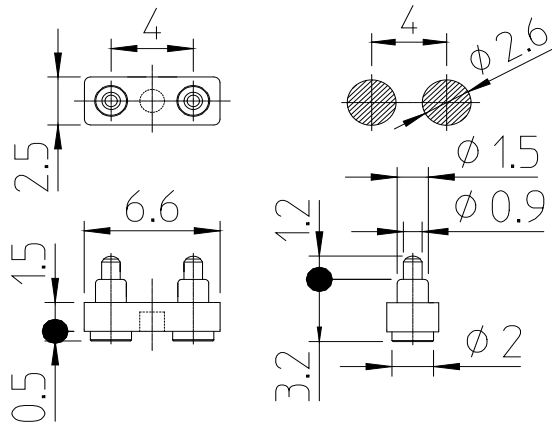
0.6mm: 1.20N±0.24N Full St: 0.9mm

S-J-2910H-2-40-0000



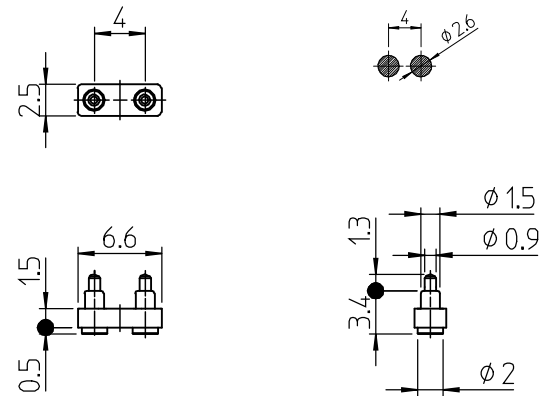
0.7mm: 1.08N±0.22N Full St: 1.0mm

S-J-3212H-2-40-0000



0.8mm: 1.08N±0.22N Full St: 1.2mm

S-J-3413H-2-40-0000



0.9mm: 1.08N±0.22N Full St: 1.3mm