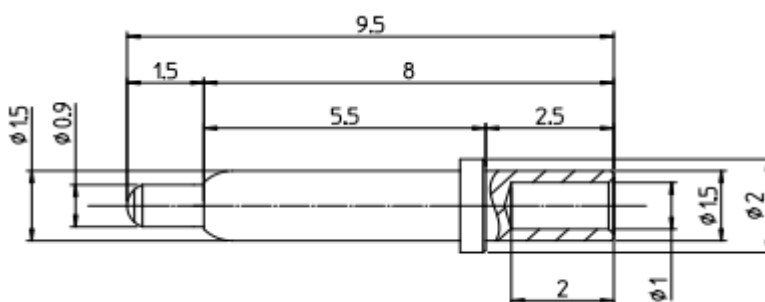


Pogo Pin Connector_1Pin_Cable to Wire_High Current_Series

Basic Specification

Part Number :	J-5515PC-1-00-0000
Rated Current :	5A
Rated Voltage :	AC/DC12V
Contact Resistance:	50mΩmax
Operation Temp. :	-40°C~+85°C
Pin Strength :	9.8N on a pin from any direction
Cycle Durability:	5,000 times



Electrical Characteristic

Rated Current :	AC/DC 12V 5A
Contact Resistance :	50mΩ

Mechanical Characteristics

Pin Force :	1.0N ± 0.2N
Pin Strength :	9.8N force on pin from any direction for 1min.

Other Characteristic

Operational Durability :	5,000 cycles
Low Temp. Durability :	Store in temp. -40°C ± 3°C for 96 hours then ,leaves in the ambient temperature. for 1 hour.

High Temp. Durability :	Store in temp. +85°C ± 2°C for 96 hours then ,leaves in the ambient temperature. for 1 hour.
-------------------------	----------------------------------------------------------------------------------------------

Humidity Durability :	Store in temp. +60°C ± 2°C with humidity of 90~95% for 96 hours, then leave in the ambient temperature for 1 hours.
-----------------------	---------------------------------------------------------------------------------------------------------------------

Temp. Cycle Test :	Cycle 5 times (Table1. shows test condition for 1cycle) Leave in the ambient temp. for 1 hour.
Temp. And Humidity Cycle Test :	10 times of a cycle test based on JIS C60068-2-38.
Anti-corrosion(Salt Water Spray) :	The electrical performance shall be measured after continuous spray of salt water with 5 ± 1% density and 35 ± 2°C temperature for 48 hours, cleaning with lukewarm water and dry, and leaving in ambient temperature for 1 hours.

Pogo Pin Connector_1Pin_Cable to Wire_High Current_Series

Other Characteristic

Vibration Test :

Connect each connector pin in series, conducting current of 0.1A.
 After that , the vibration described below is added.
 * Amplitude 1.5mm
 * Sweeping cycle 10~55~10Hz/minute
 * Duration of test: 2hrs for each of X,Y,Z axis.

Shock Test :

Connect each connector pin in series, conducting current of 0.1A.
 After that , the shock described below is added.
 * Accelerating rate: 490m/s²
 * Operating time of the test: 11ms
 * The number of operating times: 3shocks at X,Y,Z axis both In negative and positive direction.

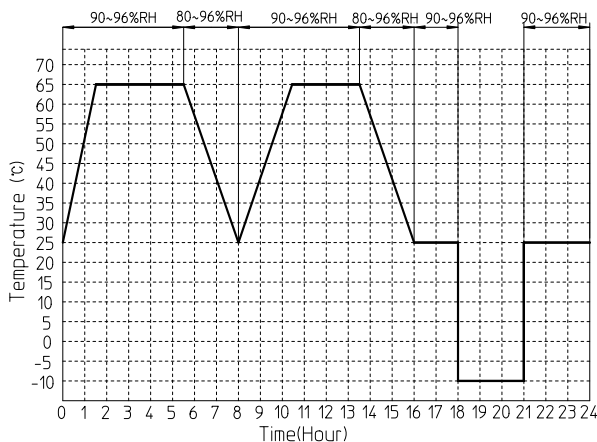
Heat Resistance :

The electrical performance shall be measured after soldering for 3 seconds or less per terminal.
 (temperature of soldering iron : 350°C)

Table 1. Temperature Cycle

Step	Temperature(°C)	Time(minites)
1	-40 ± 3	30 - 35
2	5 - 35	10 - 15
3	85 ± 2	30 - 35
4	5 - 35	10 - 15

Fig 1. Temp. and Humidity Cycle



- The specifications shown in this catalogue are subject to change without notice.
- Storage conditions: 35days max in room temperature