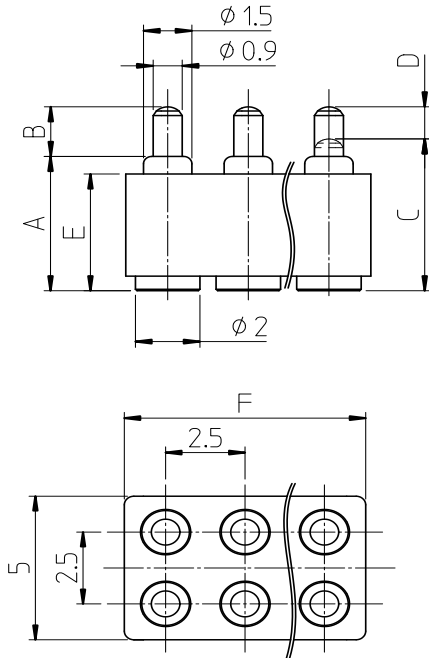


Pogo Pin Connectors_Dou Row_6-20Pin_2.5mm Pitch_SMD Vertical Series



Basic Specifications

Rated Current : 2A

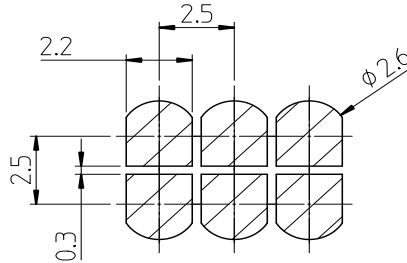
Rated Voltage : AC/DC12V

Contact Resistance: 50mΩmax

Operation Temp. : -40°C~+85°C

Pin Force : 9.8N on a pin from any direction

Cycle Durability: 20,000 times



Type (Dim.AB)	Working Height(mm)	Reference Working Range (mm)	Spring Force	Rated Current	Dim.						Part Number	
					A	B	C	D	E	F		
6-Pin	4215	4.7	(4.3 - 4.95)	1.08N	2A	4.2	1.5	4.7	1.0	4.0	7.6	J-4215W-6-25-0000
	4617	5.2	(4.7 - 5.45)	1.08N	2A	4.6	1.7	5.2	1.1	4.0	7.6	J-4617W-6-25-0000
	5117	5.7	(5.2 - 5.95)	1.08N	2A	5.1	1.7	5.7	1.1	4.0	7.6	J-5117W-6-25-0000
	5517	6.1	(5.6 - 6.35)	1.08N	2A	5.5	1.7	6.1	1.1	4.0	7.6	J-5517W-6-25-0000
8-Pin	4215	4.7	(4.3 - 4.95)	1.08N	2A	4.2	1.5	4.7	1.0	4.0	10.01	J-4215W-8-25-0000
	4617	5.2	(4.7 - 5.45)	1.08N	2A	4.6	1.7	5.2	1.1	4.0	10.01	J-4617W-8-25-0000
	5117	5.7	(5.2 - 5.95)	1.08N	2A	5.1	1.7	5.7	1.1	4.0	10.01	J-5117W-8-25-0000
	5517	6.1	(5.6 - 6.35)	1.08N	2A	5.5	1.7	6.1	1.1	4.0	10.01	J-5517W-8-25-0000
10-Pin	4215	4.7	(4.3 - 4.95)	1.08N	2A	4.2	1.5	4.7	1.0	4.0	12.6	J-4215W-10-25-0000
	4617	5.2	(4.7 - 5.45)	1.08N	2A	4.6	1.7	5.2	1.1	4.0	12.6	J-4617W-10-25-0000
	5117	5.7	(5.2 - 5.95)	1.08N	2A	5.1	1.7	5.7	1.1	4.0	12.6	J-5117W-10-25-0000
	5517	6.1	(5.6 - 6.35)	1.08N	2A	5.5	1.7	6.1	1.1	4.0	12.6	J-5517W-10-25-0000
12-Pin	4215	4.7	(4.3 - 4.95)	1.08N	2A	4.2	1.5	4.7	1.0	4.0	15.1	J-4215W-12-25-0000
	4617	5.2	(4.7 - 5.45)	1.08N	2A	4.6	1.7	5.2	1.1	4.0	15.1	J-4617W-12-25-0000
	5117	5.7	(5.2 - 5.95)	1.08N	2A	5.1	1.7	5.7	1.1	4.0	15.1	J-5117W-12-25-0000
	5517	6.1	(5.6 - 6.35)	1.08N	2A	5.5	1.7	6.1	1.1	4.0	15.1	J-5517W-12-25-0000
14-Pin	4215	4.7	(4.3 - 4.95)	1.08N	2A	4.2	1.5	4.7	1.0	4.0	17.6	J-4215W-14-25-0000
	4617	5.2	(4.7 - 5.45)	1.08N	2A	4.6	1.7	5.2	1.1	4.0	17.6	J-4617W-14-25-0000
	5117	5.7	(5.2 - 5.95)	1.08N	2A	5.1	1.7	5.7	1.1	4.0	17.6	J-5117W-14-25-0000
	5517	6.1	(5.6 - 6.35)	1.08N	2A	5.5	1.7	6.1	1.1	4.0	17.6	J-5517W-14-25-0000
16-Pin	4215	4.7	(4.3 - 4.95)	1.08N	2A	4.2	1.5	4.7	1.0	4.0	20.1	J-4215W-16-25-0000
	4617	5.2	(4.7 - 5.45)	1.08N	2A	4.6	1.7	5.2	1.1	4.0	20.1	J-4617W-16-25-0000
	5117	5.7	(5.2 - 5.95)	1.08N	2A	5.1	1.7	5.7	1.1	4.0	20.1	J-5117W-16-25-0000
	5517	6.1	(5.6 - 6.35)	1.08N	2A	5.5	1.7	6.1	1.1	4.0	20.1	J-5517W-16-25-0000
18-Pin	4215	4.7	(4.3 - 4.95)	1.08N	2A	4.2	1.5	4.7	1.0	4.0	22.6	J-4215W-18-25-0000
	4617	5.2	(4.7 - 5.45)	1.08N	2A	4.6	1.7	5.2	1.1	4.0	22.6	J-4617W-18-25-0000
	5117	5.7	(5.2 - 5.95)	1.08N	2A	5.1	1.7	5.7	1.1	4.0	22.6	J-5117W-18-25-0000
	5517	6.1	(5.6 - 6.35)	1.08N	2A	5.5	1.7	6.1	1.1	4.0	22.6	J-5517W-18-25-0000
20-Pin	4215	4.7	(4.3 - 4.95)	1.08N	2A	4.2	1.5	4.7	1.0	4.0	25.1	J-4215W-20-25-0000
	4617	5.2	(4.7 - 5.45)	1.08N	2A	4.6	1.7	5.2	1.1	4.0	25.1	J-4617W-20-25-0000
	5117	5.7	(5.2 - 5.95)	1.08N	2A	5.1	1.7	5.7	1.1	4.0	25.1	J-5117W-20-25-0000
	5517	6.1	(5.6 - 6.35)	1.08N	2A	5.5	1.7	6.1	1.1	4.0	25.1	J-5517W-20-25-0000

Electrical Characteristic

Rated Current : AC/DC 12V 2A
Contact Resistance : 50mΩ
Insulation Resistance : 100M Ω MIN
Dielectric Strength : 3mA (MAX) leakage

Mechanical Characteristics

Pin Force: 0.9N ± 0.2N / 1.08N ± 0.25N (See Above Table)
Pin Strength : 9.8N force on pin from any direction for 1min.
Pin Pulling Force : 4.9N force on a pin from axis direction for 1 min

Other Characteristic

Operational Durability : 20,000 cycles

Low Temp. Durability : Store in temp. -40°C ± 3°C for 96 hours
then ,leaves in the ambient temp. for 1 hour

High Temp. Durability: Store in temp. +85°C ± 2°C for 96 hours
then ,leaves in the ambient temp. for 1 hour

Humidity Durability : Store in temp. +60°C ± 2°C with humidity of 90~95% for 96 hours

Temp. Cycle Test : Cycle 5 times (Table 1. shows test condition for 1 cycle)
Leave in the ambient temp. for 1 hour.

Temp. And Humidity Cycle Test: 10 times of a cycle test based on JIS C60068-2-38

Anti-corrosion (Salt Water Spray) : **The electrical performance shall measured after continuous spray of salt water with 5 ± 1% density and 35 ± 2°C temp. for 48 hours, cleaning with lukewarm water and dry, and leaving in ambient temperature for 1hours**

Vibration Test : **Connect each connector pin in series, conducting current of 0.1A. After that the vibration described below is added.**
*** Amplitude 1.5mm**
*** Sweeping cycle 10~55~10Hz/minute,**
*** Duration of test: 2hours for each of X,Y,Z axis**

Shock Test : **Connect each connector pin in series, conducting current of 0.1A. After that , the shock described below is added.**
*** Accelerating rate: 490m/s²**
*** Operating time of the test: 11ms**
*** The number of operating times: *3shocks at X,Y,Z axis both.**
***In negative and positive direction.**

Heat Resistance : **The electrical performance shall be measured in ambient temperature after soldering in accordance with the reflow profile Fig 2.**

- **The specifications shown in this catalogue are subject to change without notice.**
- **Storage conditions: 35days max in room temperature**

Table 1. Temperature Cycle

Step	Temperature(°C)	Time(minites)
1	-40 ± 3	30 - 35
2	5 - 35	10 - 15
3	85 ± 2	30 - 35
4	5 - 35	10 - 15

Fig 1. Temp. and Humidity Cycle

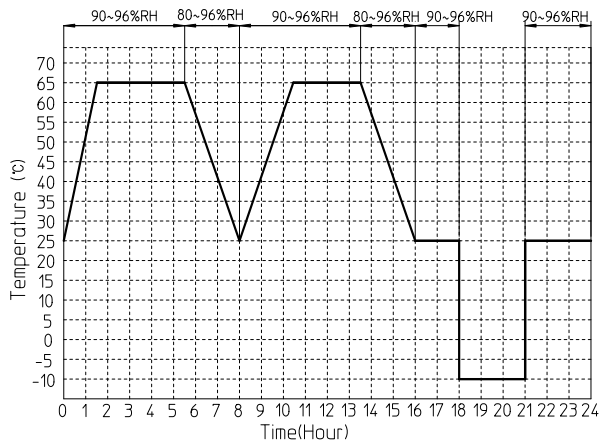


Fig 2. Reflow Profile

