

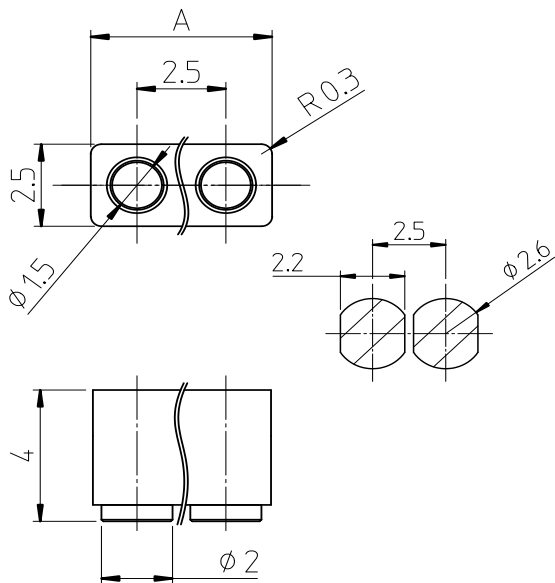
Yokowo SPRING LOADED CONNECTOR

Mating Pad_Sin Row/Dou Row_2Pin-20Pin_2.5mm Pitch_SMD Vertical Series

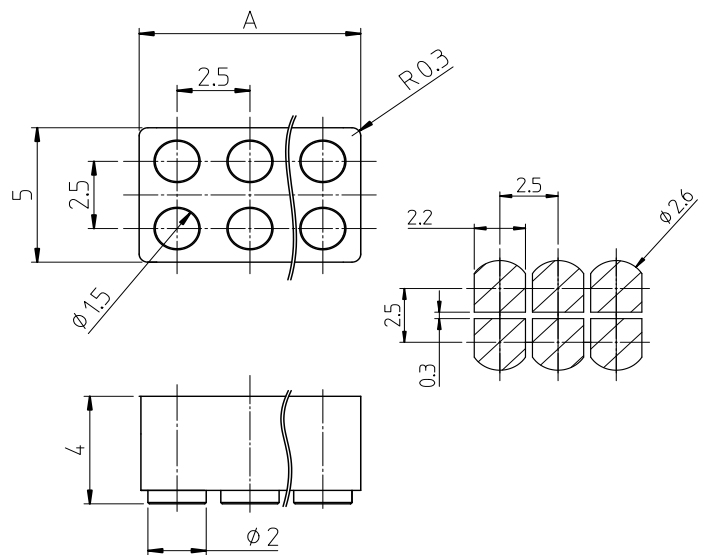
Basic Specifications

- Rated Current : 2A
- Rated Voltage : AC/DC12V
- Contact Resistance: 50mΩmax
- Operation Temp. : -40°C~+85°C

Single Row



Double Row



Number of Pins	Rated Current	Free Height	A	Part Number
2-Pin	2A	4.0	5.1	J-4000H-2-25-0000
3-Pin	2A	4.0	7.6	J-4000H-3-25-0000
4-Pin	2A	4.0	10.1	J-4000H-4-25-0000
5-Pin	2A	4.0	12.6	J-4000H-5-25-0000
6-Pin	2A	4.0	15.1	J-4000H-6-25-0000
7-Pin	2A	4.0	17.6	J-4000H-7-25-0000
8-Pin	2A	4.0	20.1	J-4000H-8-25-0000
9-Pin	2A	4.0	22.6	J-4000H-9-25-0000

Number of Pins	Rated Current	Free Height	A	Part Number
6-Pin	2A	4.0	7.6	J-4000W-6-25-0000
8-Pin	2A	4.0	10.1	J-4000W-8-25-0000
10-Pin	2A	4.0	12.6	J-4000W-10-25-0000
12-Pin	2A	4.0	15.1	J-4000W-12-25-0000
14-Pin	2A	4.0	17.6	J-4000W-14-25-0000
16-Pin	2A	4.0	20.1	J-4000W-16-25-0000
18-Pin	2A	4.0	22.6	J-4000W-18-25-0000
20-Pin	2A	4.0	25.1	J-4000W-20-25-0000

Electrical Characteristic

- Rated Current : AC/DC 12V 2A
- Contact Resistance : 50mΩ
- Insulation Resistance : 100M Ω MIN
- Dielectric Strength : 3mA (MAX) leakage

Mechanical Characteristics

Pin Pulling Force: 4.9N force on pin from axis direction for 1min

Other Characteristic

Low Temp. Durability : Store in temp. $-40^{\circ}\text{C} \pm 3^{\circ}\text{C}$ for 96 hours then ,leaves in the ambient temp. for 1 hour

High Temp. Durability: Store in temp. $+85^{\circ}\text{C} \pm 2^{\circ}\text{C}$ for 96 hours then ,leaves in the ambient temp. for 1 hour

Humidity Durability : Store in temp. $+60^{\circ}\text{C} \pm 2^{\circ}\text{C}$ with humidity of 90~95% for 96 hours

Temp. Cycle Test : Cycle 5 times (Table 1. shows test condition for 1 cycle) Leave in the ambient temp. for 1 hour.

Temp. And Humidity Cycle Test: 10 times of a cycle test based on JIS C60068-2-38

Anti-corrosion (Salt Water Spray) : The electrical performance shall measured after continuous spray of salt water with $5 \pm 1\%$ density and $35 \pm 2^{\circ}\text{C}$ temp. for 48 hours, cleaning with lukewarm water and dry, and leaving in ambient temperature for 1 hours

Heat Resistance : The electrical performance shall be measured in ambient temperature after soldering in accordance with the reflow profile Fig 2.

- The specifications shown in this catalogue are subject to change without notice.
- Storage conditions: 35days max in room temperature

Table 1. Temperature Cycle

Step	Temperature($^{\circ}\text{C}$)	Time(minites)
1	-40 ± 3	30 - 35
2	5 - 35	10 - 15
3	85 ± 2	30 - 35
4	5 - 35	10 - 15

Fig 1. Temp. and Humidity Cycle



Fig 2. Reflow Profile

