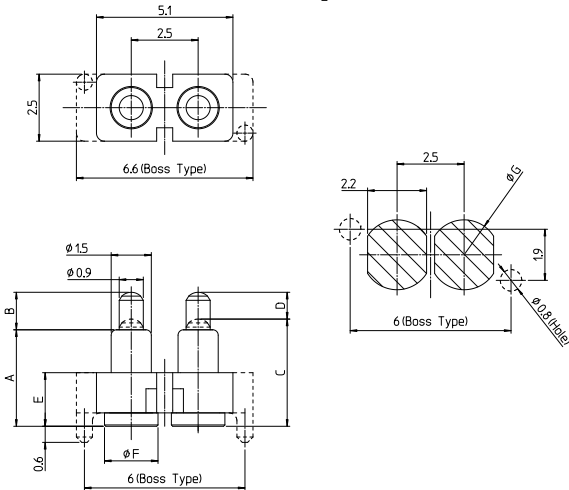


Pogo Pin Connectors_2Pin_2.5mm/3mm Pitch_SMD Vertical Series

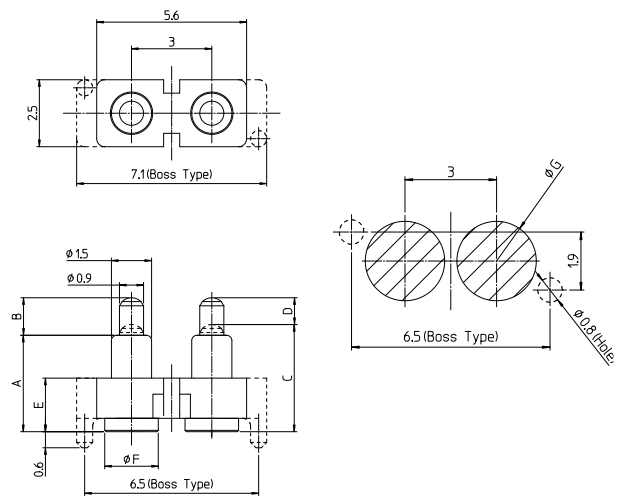
Basic Specifications

- Rated Current : 2A
- Rated Voltage : AC/DC12V
- Contact Resistance: 50mΩmax
- Operation Temp. : -40°C~+85°C
- Pin Force : 9.8N on a pin from any direction
- Cycle Durability: 20,000 times

2.5mm pitch



3.0mm pitch



Type (Dim.AB)	Working Height(mm)	Reference Working Range (mm)	Spring Force	Rated Current	Dim.							Pin pitch	Part Number (Boss Type=J-XXXX-B-2-0000)
					A	B	C	D	E	F	G		
2307	2.5	(2.4 - 2.65)	0.9N	2A	2.3	0.7	2.5	0.5	2.0	1.8	2.4	2.5	J-2307H-2-25-0000 J-2307B-2-25-0000
												3.0	J-2307H-2-30-0000 J-2307B-2-30-0000
2509	2.8	(2.6 - 2.95)	0.9N	2A	2.5	0.9	2.8	0.6	2.0	1.8	2.4	2.5	J-2509H-2-25-0000 J-2509B-2-25-0000
												3.0	J-2509H-2-30-0000 J-2509B-2-30-0000
2809	3.1	(2.9 - 3.25)	1.08N	2A	2.8	0.9	3.1	0.6	2.0	1.8	2.4	2.5	J-2809H-2-25-0000 J-2809B-2-25-0000
												3.0	J-2809H-2-30-0000 J-2809B-2-30-0000
2910	3.2	(3.0 - 3.4)	1.08N	2A	2.9	1.0	3.2	0.7	2.0	1.8	2.4	2.5	J-2910H-2-25-0000 J-2910B-2-25-0000
												3.0	J-2910H-2-30-0000 J-2910B-2-30-0000
3111	3.4	(3.2 - 3.65)	1.08N	2A	3.1	1.1	3.4	0.8	2.0	1.8	2.4	2.5	J-3111H-2-25-0000 J-3111B-2-25-0000
												3.0	J-3111H-2-30-0000 J-3111B-2-30-0000
3212	3.5	(3.3 - 3.8)	1.08N	2A	3.2	1.2	3.5	0.9	2.0	1.8	2.4	2.5	J-3212H-2-25-0000 J-3212B-2-25-0000
												3.0	J-3212H-2-30-0000 J-3212B-2-30-0000
3413	3.8	(3.5 - 4.05)	1.08N	2A	3.4	1.3	3.8	0.9	2.0	2.0	2.6	2.5	J-3413H-2-25-0000 J-3413B-2-25-0000
												3.0	J-3413H-2-30-0000 J-3413B-2-30-0000
3614	4.0	(3.7 - 4.3)	1.08N	2A	3.6	1.4	4.0	1.0	2.0	2.0	2.6	2.5	J-3614H-2-25-0000 J-3614B-2-25-0000
												3.0	J-3614H-2-30-0000 J-3614B-2-30-0000
3915	4.4	(4.0 - 4.65)	1.08N	2A	3.9	1.5	4.4	1.0	2.0	2.0	2.6	2.5	J-3915H-2-25-0000 J-3915B-2-25-0000
												3.0	J-3915H-2-30-0000 J-3915B-2-30-0000
4215	4.7	(4.3 - 4.95)	1.08N	2A	4.2	1.5	4.7	1.0	4.0	2.0	2.6	2.5	J-4215H-2-25-0000 J-4215B-2-25-0000
												3.0	J-4215H-2-30-0000 J-4215B-2-30-0000
4617	5.2	(4.7 - 5.45)	1.08N	2A	4.6	1.7	5.2	1.1	4.0	2.0	2.6	2.5	J-4617H-2-25-0000 J-4617B-2-25-0000
												3.0	J-4617H-2-30-0000 J-4617B-2-30-0000
5117	5.7	(5.2 - 5.95)	1.08N	2A	5.1	1.7	5.7	1.1	4.0	2.0	2.6	2.5	J-5117H-2-25-0000 J-5117B-2-25-0000
												3.0	J-5117H-2-30-0000 J-5117B-2-30-0000
5517	6.1	(5.6 - 6.35)	1.08N	2A	5.5	2.0	6.1	1.1	4.0	2.0	2.6	2.5	J-5517H-2-25-0000 J-5517B-2-25-0000
												3.0	J-5517H-2-30-0000 J-5517B-2-30-0000

Electrical Characteristic

Rated Current : AC/DC 12V 2A
Contact Resistance : 50mΩ
Insulation Resistance : 100M Ω MIN
Dielectric Strength : 3mA (MAX) leakage

Mechanical Characteristics

Pin Force: 0.9N ± 0.2N / 1.08N ± 0.25N (See Above Table)
Pin Strength : 9.8N force on pin from any direction for 1min.
Pin Pulling Force : 4.9N force on a pin from axis direction for 1 min

Other Characteristic

Operational Durability : 20,000 cycles

Low Temp. Durability : Store in temp. -40°C ± 3°C for 96 hours
then ,leaves in the ambient temp. for 1 hour

High Temp. Durability: Store in temp. +85°C ± 2°C for 96 hours
then ,leaves in the ambient temp. for 1 hour

Humidity Durability : Store in temp. +60°C ± 2°C with humidity of 90~95% for 96 hours

Temp. Cycle Test : Cycle 5 times (Table 1. shows test condition for 1 cycle)
Leave in the ambient temp. for 1 hour.

Temp. And Humidity Cycle Test: 10 times of a cycle test based on JIS C60068-2-38

Anti-corrosion (Salt Water Spray) : **The electrical performance shall measured after continuous spray of salt water with 5 ± 1% density and 35 ± 2°C temp. for 48 hours, cleaning with lukewarm water and dry, and leaving in ambient temperature for 1 hours**

Vibration Test : **Connect each connector pin in series, conducting current of 0.1A. After that the vibration described below is added.**
*** Amplitude 1.5mm**
*** Sweeping cycle 10~55~10Hz/minute,**
*** Duration of test: 2hours for each of X,Y,Z axis**

Shock Test : **Connect each connector pin in series, conducting current of 0.1A. After that , the shock described below is added.**
*** Accelerating rate: 490m/s²**
*** Operating time of the test: 11ms**
*** The number of operating times: *3shocks at X,Y,Z axis both.**
***In negative and positive direction.**

Heat Resistance : **The electrical performance shall be measured in ambient temperature after soldering in accordance with the reflow profile Fig 2.**

- **The specifications shown in this catalogue are subject to change without notice.**
- **Storage conditions: 35days max in room temperature**

Table 1. Temperature Cycle

Step	Temperature(°C)	Time(minites)
1	-40 ± 3	30 - 35
2	5 - 35	10 - 15
3	85 ± 2	30 - 35
4	5 - 35	10 - 15

Fig 1. Temp. and Humidity Cycle



Fig 2. Reflow Profile

