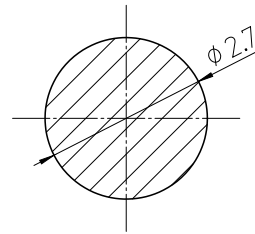
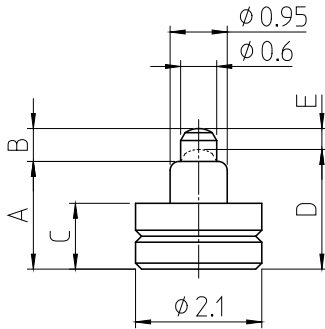


Pogo Pin Connectors_1Pin_SMD Vertical Series

Basic Specification

Rated Current : 0.5A
Rated Voltage : AC/DC12V
Contact Resistance: 250mΩmax
Operation Temp. : -40°C~+85°C
Cycle Durability: 5,000 times



Reference Land Pattern

Type (Dim.AB)	Working Height(mm)	Reference Working Range (mm)	Spring Force	Rated Current	Dim.(mm)					Part Number
					A	B	C	D	E	
1404	1.5	(1.5-1.6)	0.4N	0.5A	1.4	(0.4)	0.7	(1.5)	(0.3)	J-1404PU-1-00-0000
1504	1.6	(1.6-1.7)	0.5N	0.5A	1.5	(0.4)	0.8	(1.6)	(0.3)	J-1504PU-1-00-0000
1604	1.7	(1.7-1.8)	0.5N	0.5A	1.6	(0.4)	0.9	(1.7)	(0.3)	J-1604PU-1-00-0000
1705	1.85	(1.8-1.9)	0.5N	0.5A	1.7	(0.45)	1.0	(1.85)	(0.3)	J-1705PU-1-00-0000
1806	2.0	(1.9-2.05)	0.6N	0.5A	1.8	(0.55)	1.1	(2.0)	(0.35)	J-1806PU-1-00-0000
1907	2.1	(2.05-2.25)	0.6N	0.5A	1.95	(0.65)	1.25	(2.1)	(0.5)	J-1907PU-1-00-0000
2007	2.15	(2.1-2.3)	0.6N	0.5A	2.0	(0.65)	1.3	(2.15)	(0.5)	J-2007PU-1-00-0000
2109	2.4	(2.2-2.55)	0.5N	0.5A	2.1	(0.9)	1.4	(2.4)	(0.6)	J-2109PU-1-00-0000

Pogo Pin Connectors_1Pin_SMD Vertical Series

Electrical Characteristic

Rated Current : AC/DC 12V 0.5A
Contact Resistance : 250mΩ

Mechanical Characteristics

Pin Force : 0.4N ± 0.1N/0.5N ± 0.15N/0.6N ± 0.12N(see above table)
Pin Strength : 4.9N force on pin from any direction for 1min.

Other Characteristic

Operational Durability : 20,000 cycles
Low Temp. Durability : Store in temp. -40°C ± 3°C for 96 hours then ,leaves in the ambient temp. for 1 hour

High Temp. Durability : Store in temp. +85°C ± 2°C for 96 hours then ,leaves in the ambient temp. for 1 hour

Humidity Durability : Store in temp. +60°C ± 2°C with humidity of 90~95% for 96 hours

Temp. Cycle Test : Cycle 5 times (Table1. shows test condition for 1cycle) Leave in the ambient temp. for 1 hour.

Temp. And Humidity Cycle Test : 10 times of a cycle test based on JIS C60068-2-38
Anti-corrosion(Salt Water Spray) : The electrical performance shall be measured after continuous spray of salt water with 5 ± 1% density and 35 ± 2°C temp. for 48 hours, cleaning with lukewarm water and dry, and leaving in ambient temperature for 1 hours

Vibration Test : Connect each connector pin in series, conducting current of 0.1A.
After that the vibration described below is added.
* Amplitude 1.5mm
* Sweeping cycle 10~55~10Hz/minute,
* Duration of test: 2hours for each of X,Y,Z axis

Shock Test : Connect each connector pin in series, conducting current of 0.1A.
After that , the shock described below is added.
* Accelerating rate: 490m/s²
* Operating time of the test: 11ms
* The number of operating times: *3shocks at X,Y,Z axis both.*In negative and positive direction.

Heat Resistance : The electrical performance shall be measured in ambient temperature after soldering in accordance with the reflow profile Fig 2.

Pogo Pin Connectors_1Pin_SMD Vertical Series

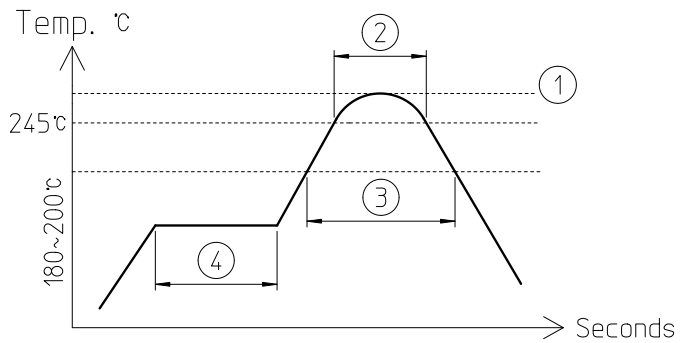
Table 1. Temperature Cycle

Step	Temperature(°C)	Time(minites)
1	-40 ± 3	30 - 35
2	5 - 35	10 - 15
3	85 ± 2	30 - 35
4	5 - 35	10 - 15

Fig 1. Temp. and Humidity Cycle



Fig 2. Reflow Profile



- ① **MAX Temp. 250°C**
- ② **Peak time [245°C]: 10sec. MAX**
- ③ **220°C time: 80sec.**
- ④ **190°C ± 10°C time: 120sec. ± 30sec.**

- **The specifications shown in this catalogue are subject to change without notice.**
- **Storage conditions: 35days max in room temperature**